

TRIANGO 100 F

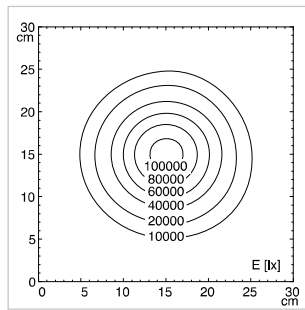
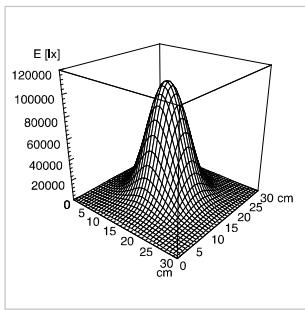
TECHNICAL DATA	
FITTED WITH	1 × LED module
LUMINOUS POWER	100 000 lux / 1.0 m *
COLOR RENDERING INDEX	Ra > 96
DEPTH OF ILLUMINATION	80 cm
OPERATION EQUIPMENT	Electronic converter
CORD LENGTH	3 m
LUMINAIRE BODY	PA
WEIGHT (NET)	20.0 Kg
POWER CONSUMPTION	40 W
RATED CONNECTION VOLTAGE	100 - 240 V
FREQUENCY RANGE	50 / 60 Hz
USAGE	Touch panel on cardanic system
TECHNOLOGY	Single-pole secondary
BALANCE OF ARTICULATION JOINTS	Spring (weight compensation)
CLASS OF PROTECTION	I
PROTECTION RATING	IP 43 (luminaire head)
STANDARDS MET	EN 60601-1, EN 60601-2-41
SPECIAL FEATURES	Diamond optics, sterilizable handle, high quality arm system, dimmable
MOUNTING	roller stand
ACCESSORIES	Sterilizable handle

TREATMENT LIGHT



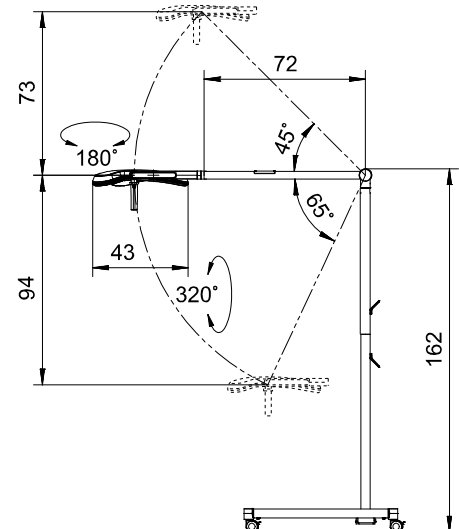
	lighting field / 1.0 m fixed value 18 cm	lighting field / 1.0 m changeable value 18 / 23 / 28 cm	color temperature fixed value 4300 K *	color temperature changeable value 3700 / 4300 / 4700 K *	dimmable	Order No.
TRIANGO 100-1 F	x		x		x	D15.923.000-00803670 - CH D15.892.000-00803664 - SCHUKO D15.911.000-00803665 - UK
TRIANGO 100-3 F	x			x	x	D15.924.000-00803671 - CH D15.893.000-00803115 - SCHUKO D15.912.000-00803187 - UK
TRIANGO Fokus 100-1 F		x	x		x	D15.925.000-00803698 - CH D15.894.000-00803689 - SCHUKO D15.913.000-00803700 - UK
TRIANGO Fokus 100-3 F		x		x	x	D15.926.000-00803699 - CH D15.895.000-00803690 - SCHUKO D15.914.000-00803188 - UK
TRIANGO Endo 100-1 F	x		x		x Endo mode	D15.978.000-00803711- CH D15.974.000-00803707 - SCHUKO D15.975.000-00803708 - UK

LIGHT DISTRIBUTION



valid for Triango 100 with fixed lighting field

TECHNICAL DRAWING



measurements in centimeters * -10% / +20% tolerance